

NOTES:

---



---



---



---

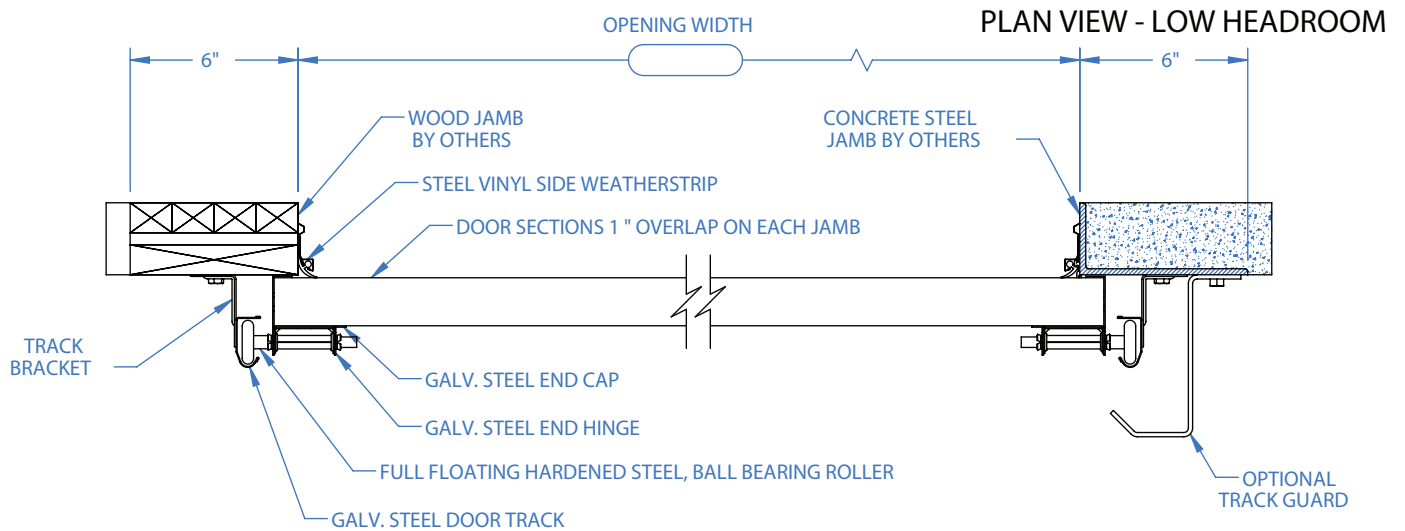
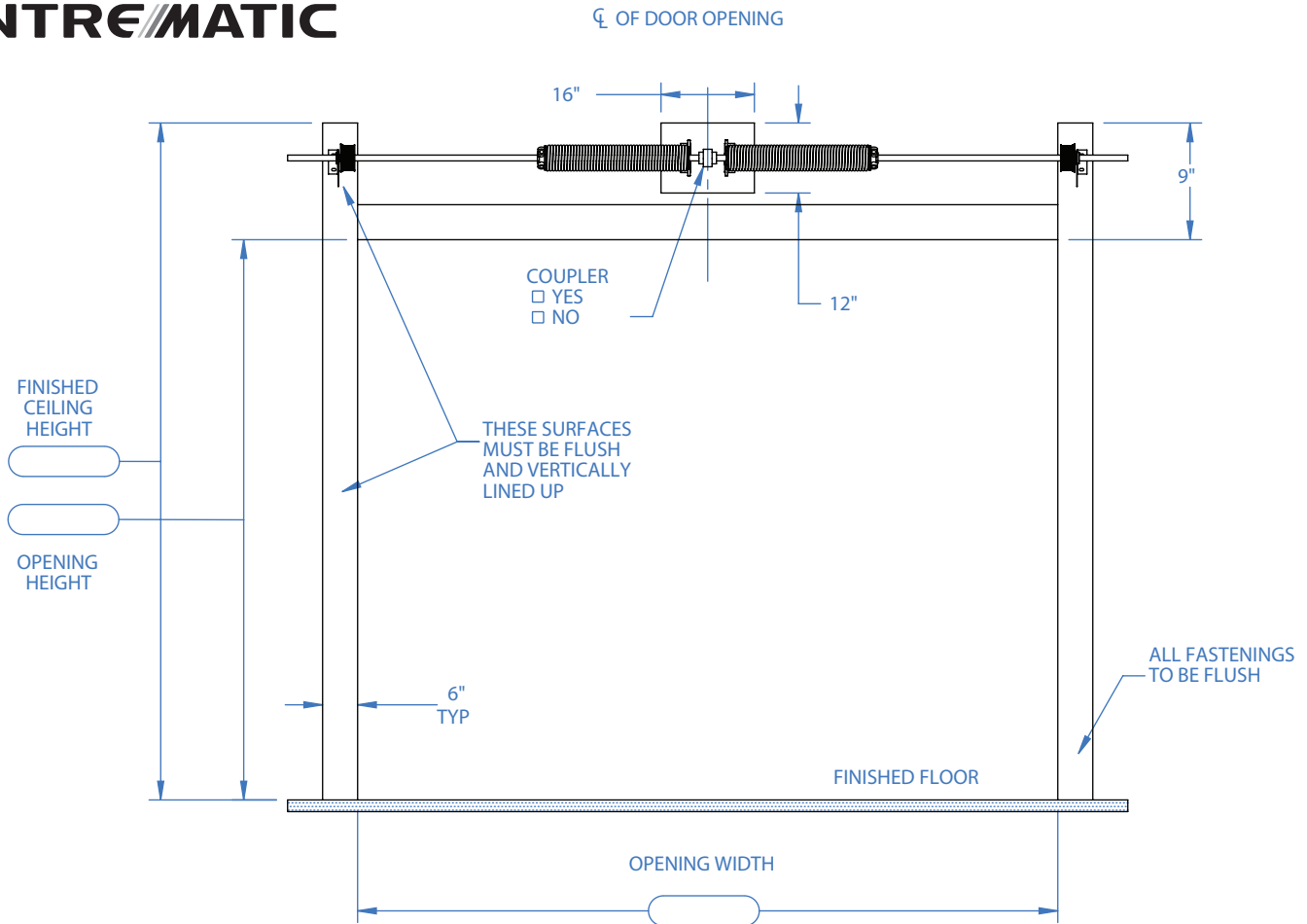


---



---

	CUSTOMER:
	ARCHITECT:
	PROJECT:
	CUSTOMER ORDER #:
	DATE:
DWG #: O022-001	SALES REP:



NOTES:

\_\_\_\_\_

\_\_\_\_\_

\_\_\_\_\_

\_\_\_\_\_

\_\_\_\_\_

\_\_\_\_\_

DWG #: O022-001	CUSTOMER:
	ARCHITECT:
	PROJECT:
	CUSTOMER ORDER #:
	DATE:
	SALES REP: