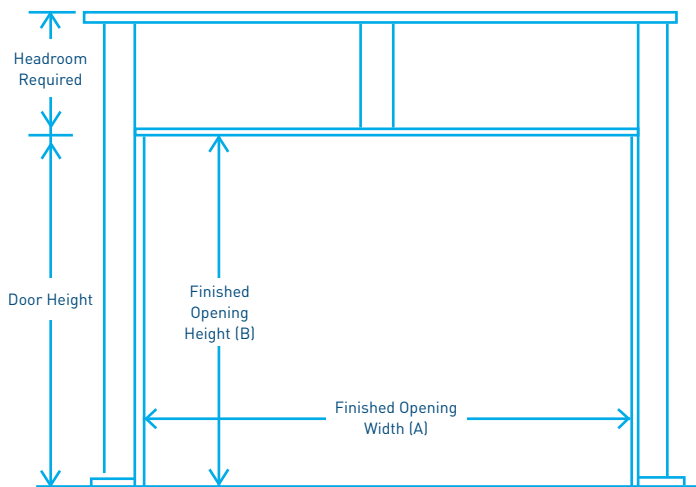


Residential Framing FRAMING DIAGRAM

Residential Framing Diagram



Headroom Required Door & Operator

13"	Standard
9"	Low Headroom Kit
6"	Double track low headroom
16"	Carriage House Door

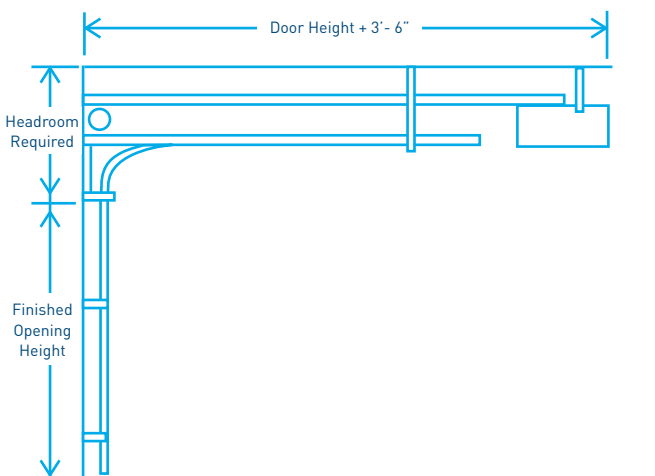
Over 8'-0" High

13"	2" Track
19"	3" Track

Finished Opening

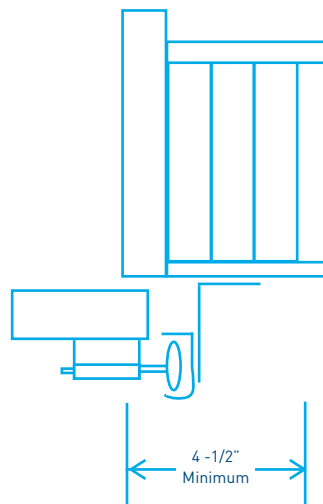
(A) Door Width - 1"
(B) Height of Door

Operator Clearance



Framing for Garage Door must be as shown. If not, an extra charge for framing labour and materials, or false trip may apply.

Jamb Detail



All interior surfaces must be flush from the floor to the door height plus required head room. Minimum side clearance to be width plus 8".