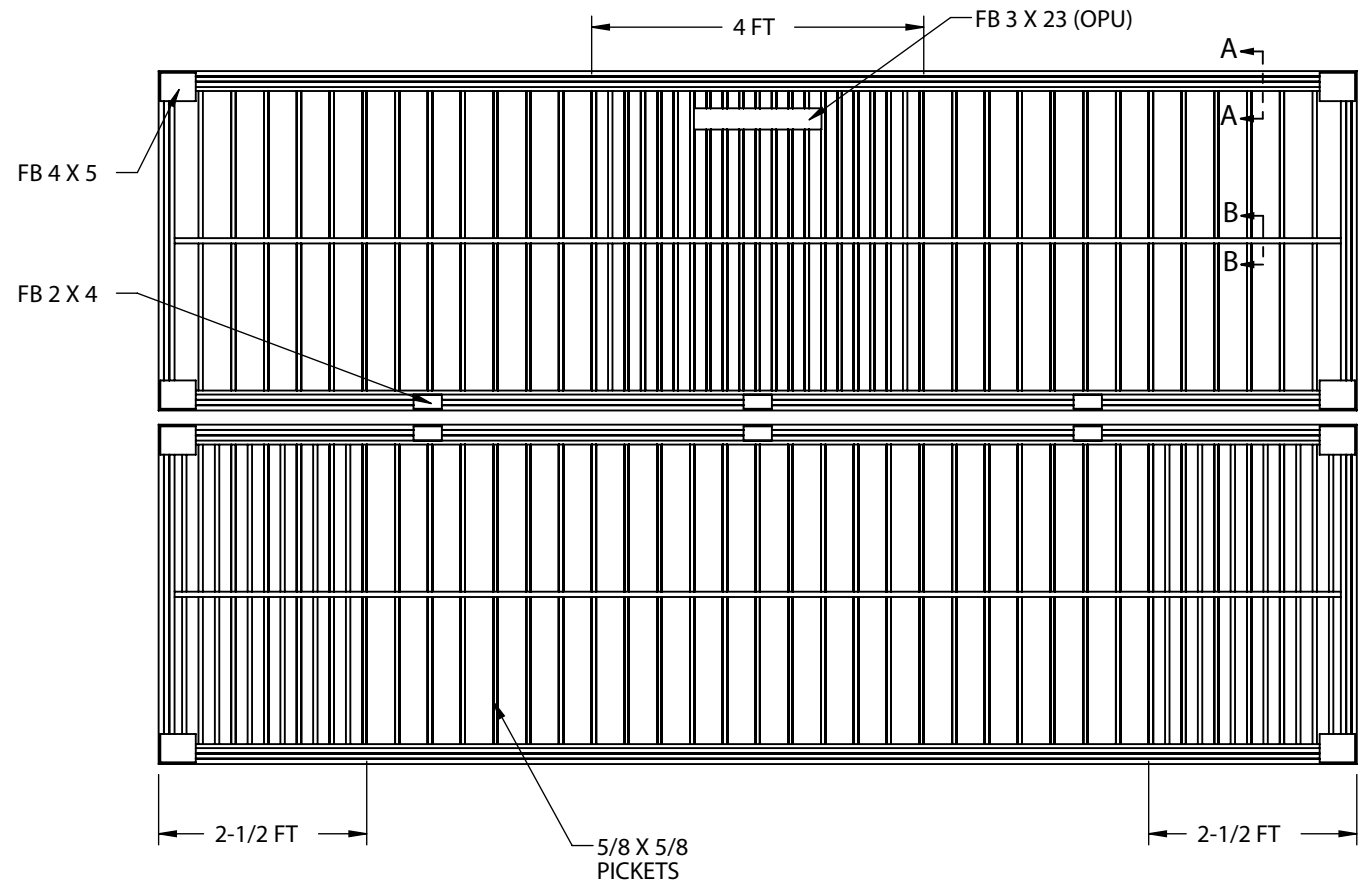
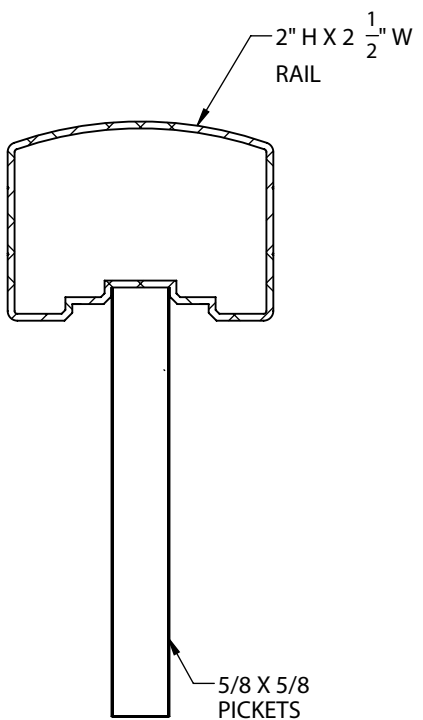


SECTION B-B



COMMENTS:

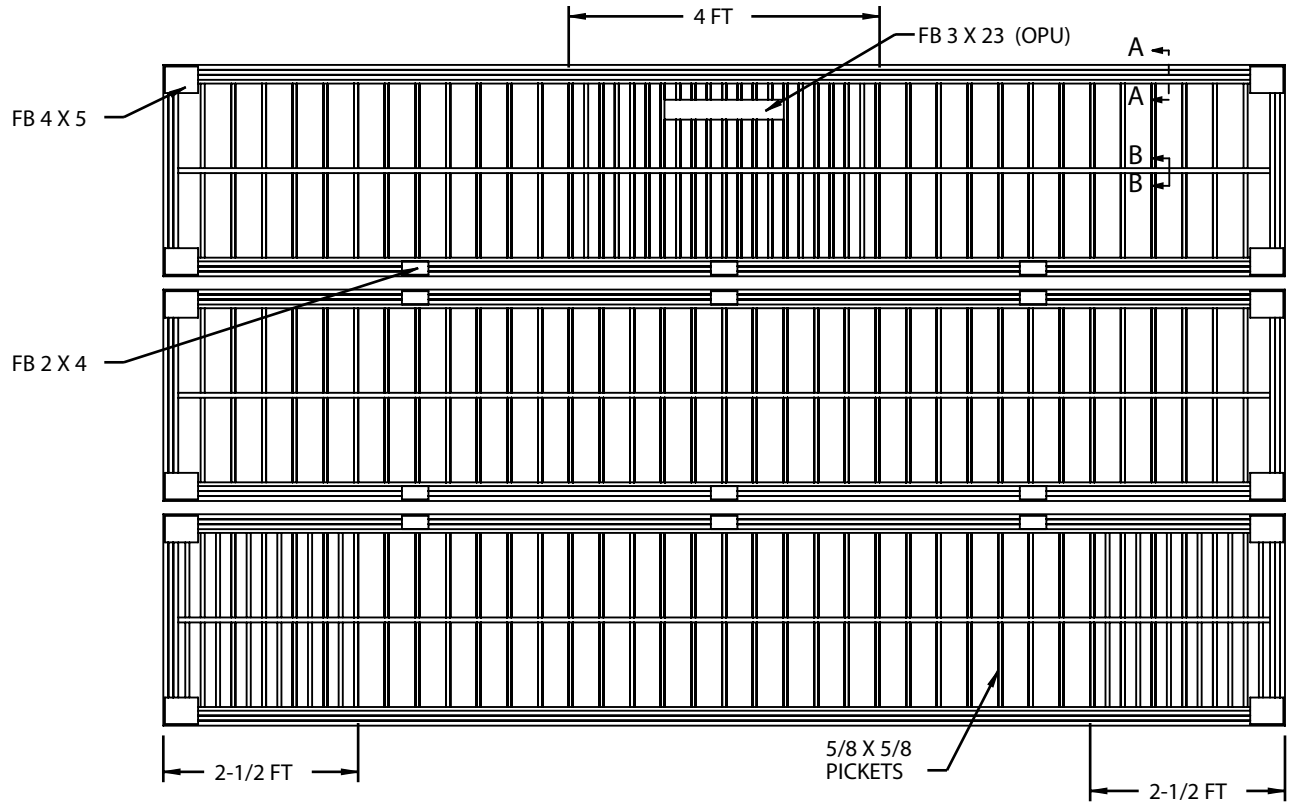
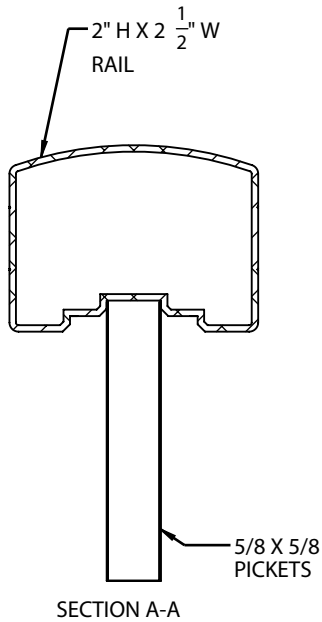
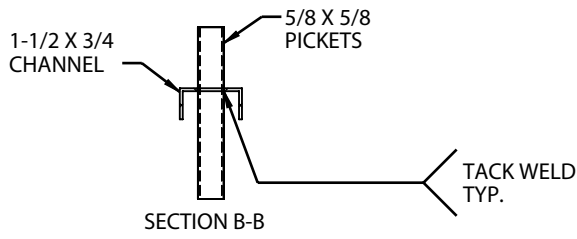
- PICKETS ARE SPACED AT 4.50" CENTER TO CENTER
- CONCENTRATED PICKETS ARE SPACED AT 2.25" CENTER TO CENTER

PROPRIETARY AND CONFIDENTIAL  
 THE INFORMATION CONTAINED IN THIS DRAWING IS THE SOLE PROPERTY OF HELTON INDUSTRIES LTD. ANY REPRODUCTION IN PART OR AS A WHOLE WITHOUT THE WRITTEN PERMISSION OF HELTON INDUSTRIES LTD IS PROHIBITED.

**westgate**  
**ENTRE//MATIC**  
 2285 Queen St.  
 Abbotsford, BC V2T 6K2  
 Ph. (604) 854-8788  
 Fax (604) 854-1866

MATERIAL  
 PER PARTS

DRAWN DS		NAME	DATE	PRODUCT ID: SAMPLE	
FRACTION [1/X]		± " N/A		2-PANEL WESTGATE SECURITY DOORS	
ANGULAR [MACHINED]		± ° N/A			
ANGULAR [BEND]		± ° N/A			
DECIMAL [0.XX]		± " N/A			
DECIMAL [0.XXX]		± " N/A			
COIL PART NUMBER			SIZE A	DWG. NO. O003-002	REV. 03
SIZE:			SCALE NTS	WEIGHT	SHEET 1 OF 1



- COMMENTS:
- PICKETS ARE SPACED AT 4.50" CENTER TO CENTER
  - CONCENTRATED PICKETS ARE SPACED AT 2.25" CENTER TO CENTER

**westgate**

**ENTRE//MATIC**

2285 Queen St.  
Abbotsford, BC V2T 6K2

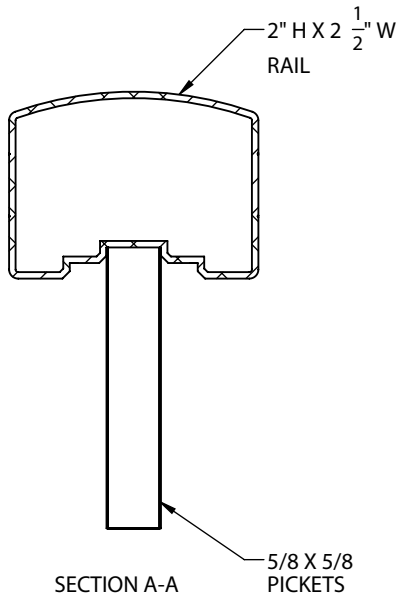
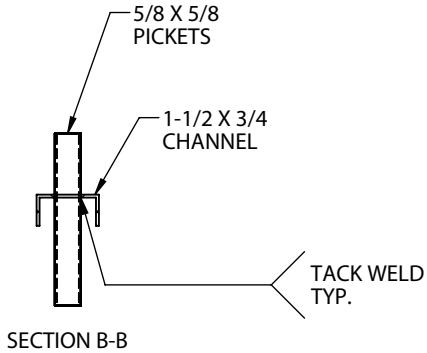
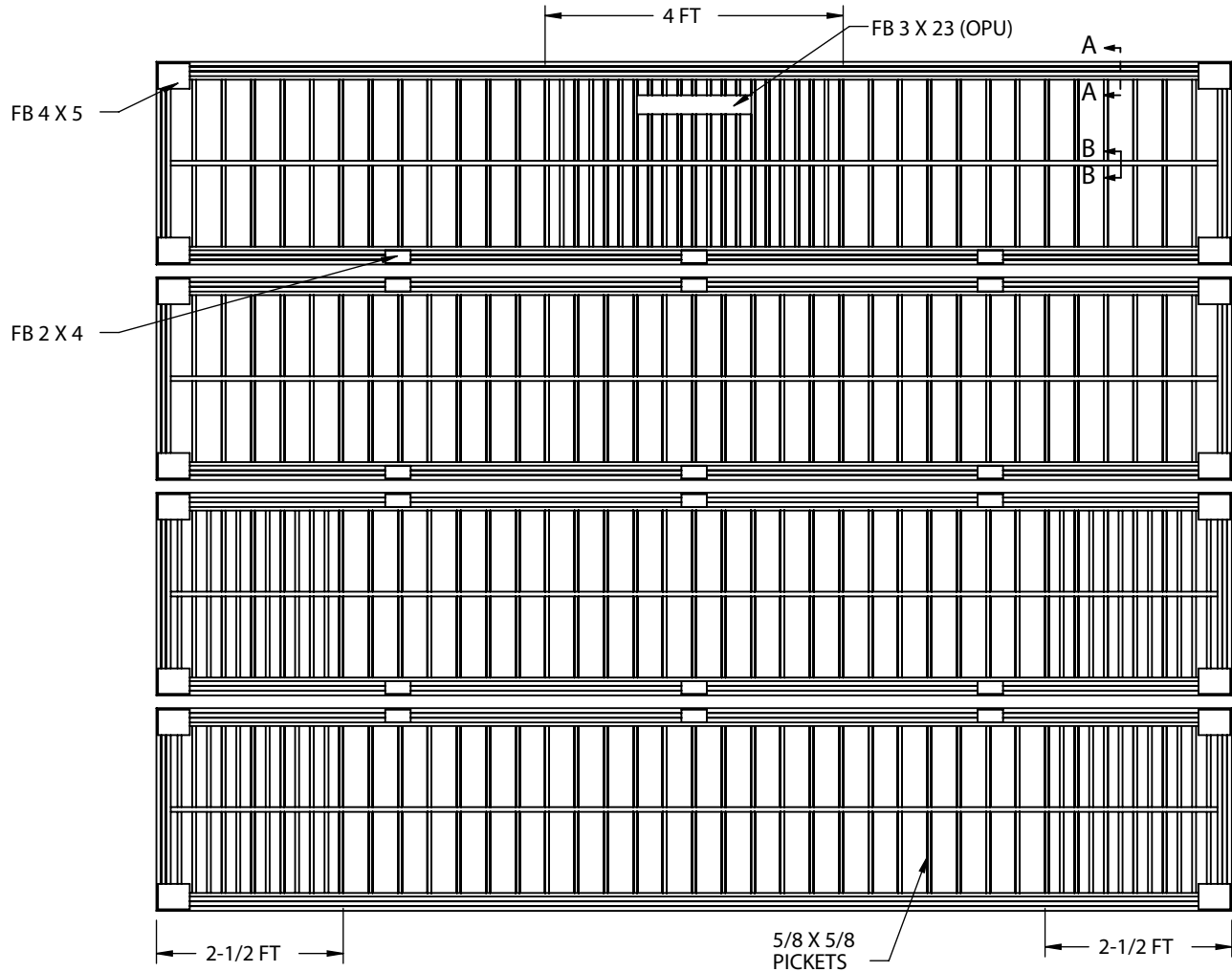
Ph. (604) 854-8788  
Fax (604) 854-1866

MATERIAL

PER PARTS

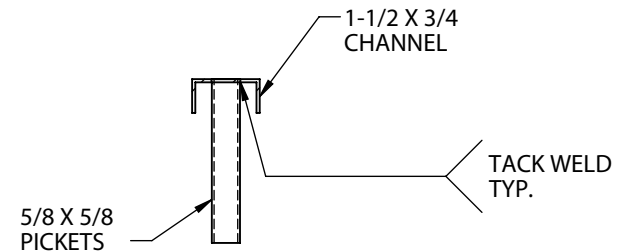
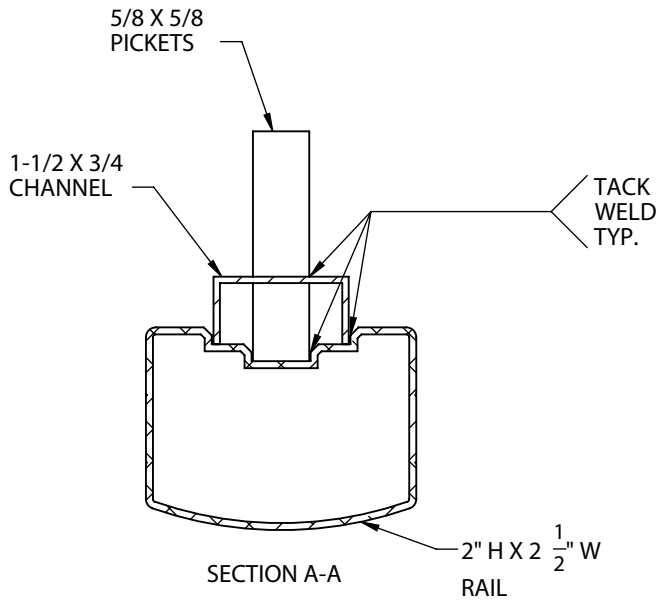
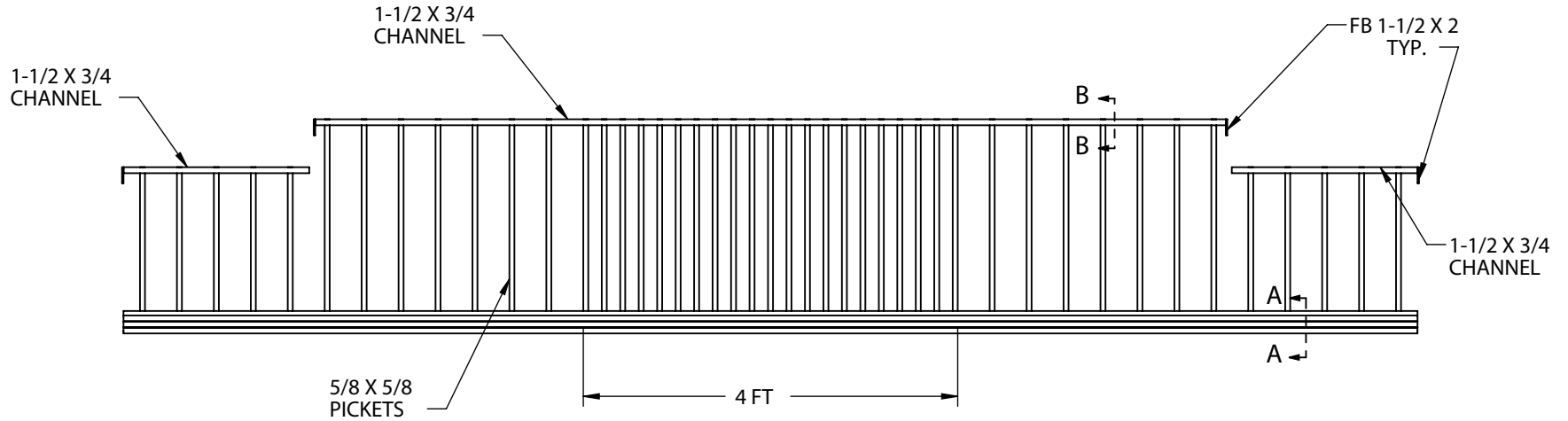
PROPRIETARY AND CONFIDENTIAL  
THE INFORMATION CONTAINED IN THIS DRAWING IS THE SOLE PROPERTY OF HELTON INDUSTRIES LTD. ANY REPRODUCTION IN PART OR AS A WHOLE WITHOUT THE WRITTEN PERMISSION OF HELTON INDUSTRIES LTD IS PROHIBITED.

DRAWN		NAME	DATE	PRODUCT ID:		
DS				SAMPLE		
FRACTION (1/X)	± "	N/A		3-PANEL WESTGATE SECURITY DOORS		
ANGULAR (MACHINED)	± °	N/A				
ANGULAR (BEND)	± °	N/A				
DECIMAL [0.XX]	± "	N/A				
DECIMAL [0.XXX]	± "	N/A				
COIL PART NUMBER				SIZE	DWG. NO.	REV.
				A	0003-003	03
SIZE:				SCALE	WEIGHT	SHEET
				NTS		1 OF 1



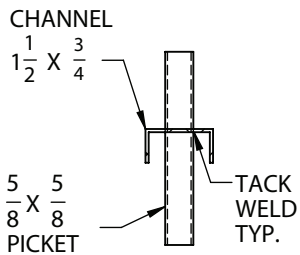
<b>COMMENTS:</b> 1. PICKETS ARE SPACED AT 4.50" CENTER TO CENTER 2. CONCENTRATED PICKETS ARE SPACED AT 2.25" CENTER TO CENTER		 2285 Queen St. Abbotsford, BC V2T 6K2 Ph. (604) 854-8788 Fax (604) 854-1866	<b>PRODUCT ID:</b> SAMPLE 4-PANEL WESTGATE SECURITY DOORS	
<b>PROPRIETARY AND CONFIDENTIAL</b> <small>THE INFORMATION CONTAINED IN THIS DRAWING IS THE SOLE PROPERTY OF HELTON INDUSTRIES LTD. ANY REPRODUCTION IN PART OR AS A WHOLE WITHOUT THE WRITTEN PERMISSION OF HELTON INDUSTRIES LTD IS PROHIBITED.</small>			<b>MATERIAL:</b> PER PARTS	DRAWN: DS NAME: DS DATE:

SIZE: A SCALE: NTS	DWG. NO.: 0003-005 WEIGHT:	REV.: 02 SHEET: 1 OF 1
-----------------------	-------------------------------	---------------------------

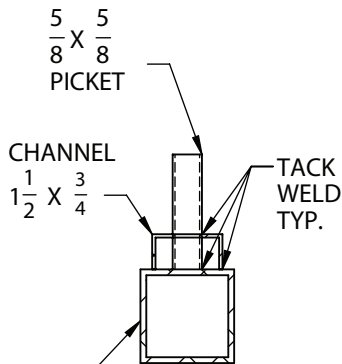


SECTION B:B

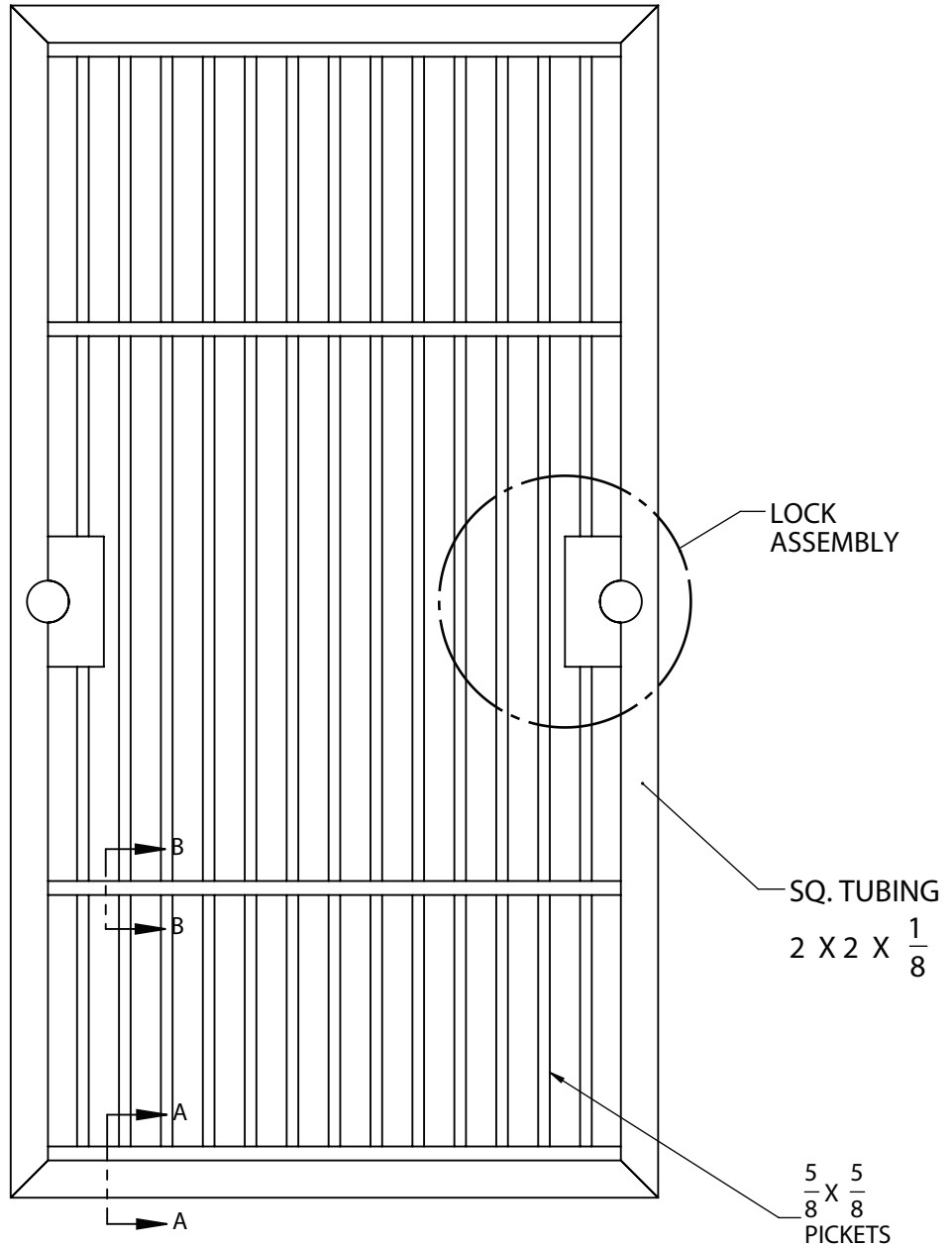
COMMENTS: 1. PICKETS ARE SPACED AT 4.50" CENTER TO CENTER 2. CONCENTRATED PICKETS ARE SPACED AT 2.25" CENTER TO CENTER	<b>westgate</b> <b>ENTRE//MATIC</b> 2285 Queen St. Abbotsford, BC V2T 6K2 Ph. (604) 854-8788 Fax (604) 854-1866	DRAWN	NAME	DATE	PRODUCT ID:
		DS			SAMPLE
		FRACTION [1/X]		± " N/A	FASCIA WESTGATE SECURITY DOORS
		ANGULAR [MACHINED]		± ° N/A	
		ANGULAR [BEND]		± ° N/A	
		DECIMAL [0.XX]		± " N/A	
		DECIMAL [0.XXX]		± " N/A	
PROPRIETARY AND CONFIDENTIAL THE INFORMATION CONTAINED IN THIS DRAWING IS THE SOLE PROPERTY OF HELTON INDUSTRIES LTD.. ANY REPRODUCTION IN PART OR AS A WHOLE WITHOUT THE WRITTEN PERMISSION OF HELTON INDUSTRIES LTD IS PROHIBITED.	MATERIAL PER PARTS	COIL PART NUMBER	SIZE: A	DWG. NO. O003-007	REV. 03
		SCALE	WEIGHT	SHEET	1 OF 1
		NTS			



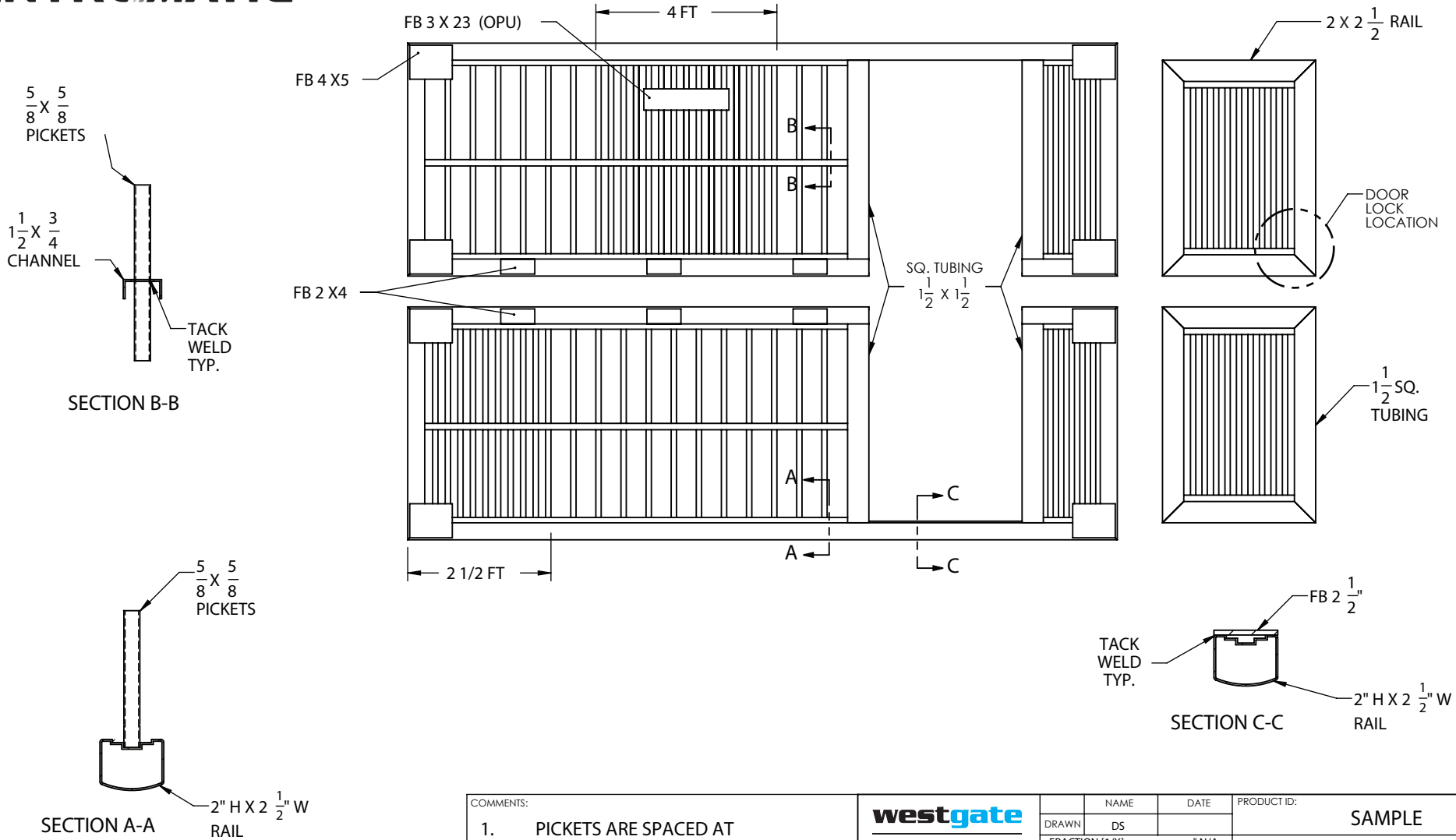
SECTION B-B



SECTION A-A



COMMENTS: 1. CONCENTRATED PICKETS ARE SPACED AT 2.25" CENTER TO CENTER	 2285 Queen St. Abbotsford, BC V2T 6K2 Ph. (604) 854-8788 Fax (604) 854-1866	NAME: DS DATE:	PRODUCT ID: SAMPLE
		FRACTION [1/X] ± N/A" ANGULAR [MACHINED] ± N/A" ANGULAR [BEND] ± N/A" DECIMAL [0.XX] ± N/A" DECIMAL [0.XXX] ± N/A" COIL PART NUMBER	PASS DOOR WESTGATE SECURITY DOORS
PROPRIETARY AND CONFIDENTIAL THE INFORMATION CONTAINED IN THIS DRAWING IS THE SOLE PROPERTY OF HELTON INDUSTRIES LTD. ANY REPRODUCTION IN PART OR AS A WHOLE WITHOUT THE WRITTEN PERMISSION OF HELTON INDUSTRIES LTD IS PROHIBITED.	MATERIAL: PER PARTS	SIZE: A SCALE: NTS	DWG. NO. 0003-008 WEIGHT: SHEET 02 1 OF 1



<b>COMMENTS:</b> 1. PICKETS ARE SPACED AT 4.50" CENTER TO CENTER 2. CONCENTRATED PICKETS ARE SPACED AT 2.25" CENTER TO CENTER	 2285 Queen St. Abbotsford, BC V2T 6K2 Ph. (604) 854-8788 Fax (604) 854-1866	NAME	DATE	PRODUCT ID:	
		DRAWN DS		SAMPLE	
		FRACTION [1/X]	± " N/A	SPLIT PASSAGE WESTGATE SECURITY DOORS	
		ANGULAR [MACHINED]	± ° N/A		
ANGULAR [BEND]	± ° N/A				
DECIMAL [0.XX]	± " N/A				
DECIMAL [0.XXX]	± " N/A	COIL PART NUMBER	SIZE	DWG. NO.	REV.
PROPRIETARY AND CONFIDENTIAL <small>THE INFORMATION CONTAINED IN THIS DRAWING IS THE SOLE PROPERTY OF HELTON INDUSTRIES LTD. ANY REPRODUCTION IN PART OR AS A WHOLE WITHOUT THE WRITTEN PERMISSION OF HELTON INDUSTRIES LTD IS PROHIBITED.</small>	MATERIAL		<b>A</b>	<b>0003-009</b>	<b>03</b>
	<b>PER PARTS</b>	SIZE:	SCALE	WEIGHT	SHEET
			<b>NTS</b>		<b>1 OF 1</b>